

15TS-NSS UNIVERSAL BUSHING BOOT

Up to 17.5 kV

Application

This universal bushing boot is manufactured from non-tracking EPDM rubber and is designed to mate with all types of cold or heat-shrinkable terminations (without sheds). The bushing part fits interface diameters between 40 and 60 mm. The system is separable and allows easy removal for testing. This boot is suitable for all angles between 90° and 180°.

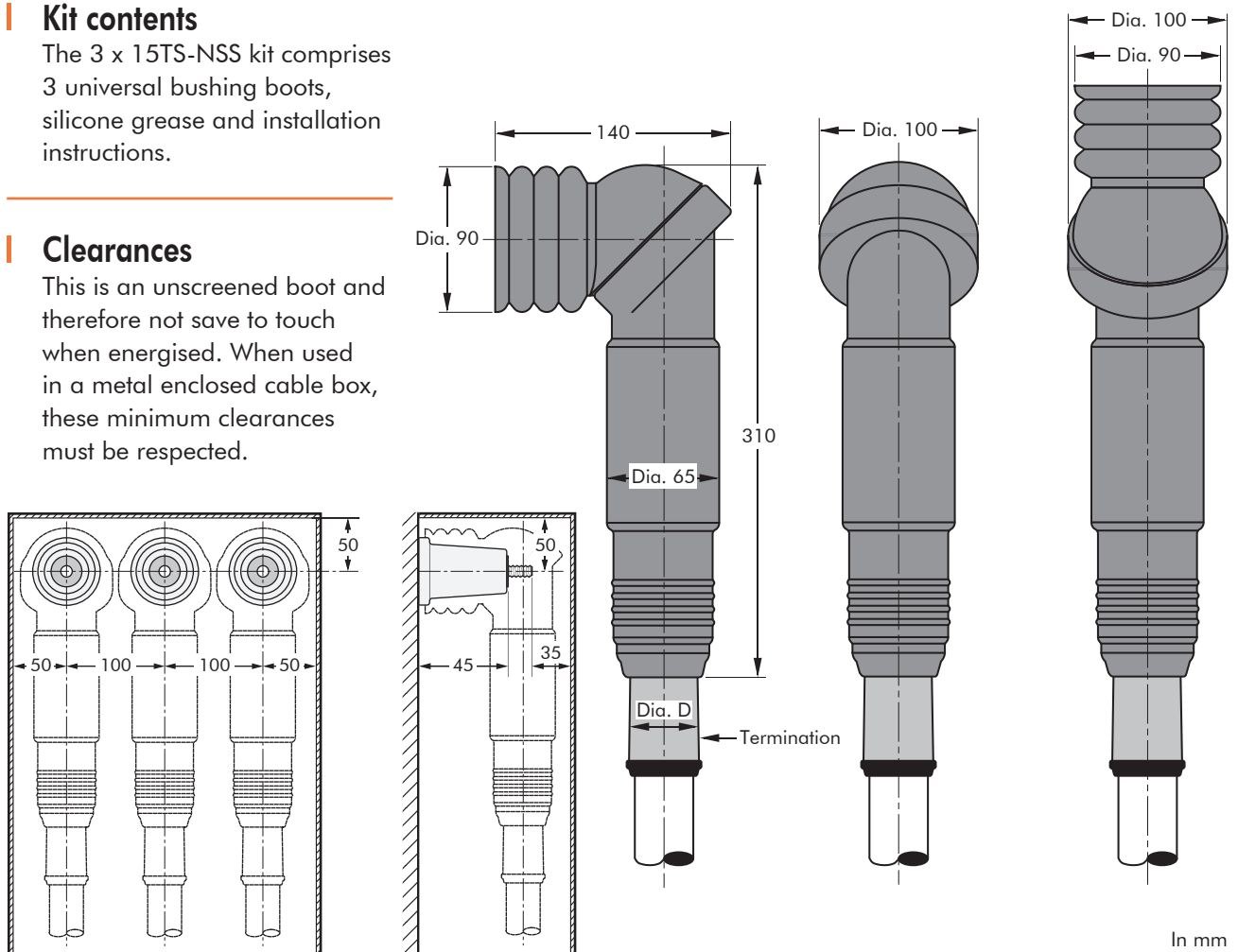
6/10 (12) kV
6.35/11 (12) kV
8.7/15 (17.5) kV

Kit contents

The 3 x 15TS-NSS kit comprises 3 universal bushing boots, silicone grease and installation instructions.

Clearances

This is an unshielded boot and therefore not safe to touch when energised. When used in a metal enclosed cable box, these minimum clearances must be respected.



Bushing boot type	Voltage U_m (kV)	Conductor sizes (mm ²)		Diameter D over termination (mm)	
		min.	max.	min.	max.
15TS-NSS	17.5 max.	35	630	20	50