

## 400AR-3 INTERFACE C EQUIPMENT BUSHING

Up to 36 kV - 630 A

### Application

For use in equipment insulated with oil fluid, typically for transformers, switch gear, capacitors...

### Technical characteristics

Each bushing is tested for AC withstand and partial discharge prior to leaving the factory.

6/10 (12) kV  
6.35/11 (12) kV  
8.7/15 (17.5) kV  
12/20 (24) kV  
12.7/22 (24) kV  
18/30 (36) kV

### Design

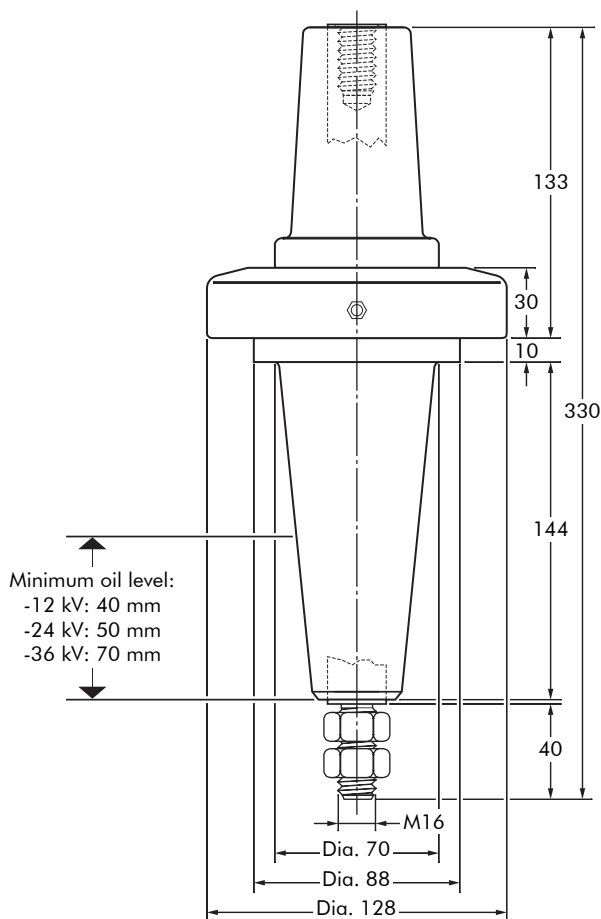
The equipment bushing is a moulded epoxy insulated part in accordance with CENELEC EN 50180.

### Specifications and standards

The bolted type equipment bushings 400AR-3 meet the requirements of CENELEC EN 50180 and IEC 60137.

### Ordering instructions

To order the equipment bushing, specify the type. The bushings are supplied with an earth lead (/J) or an earth plate (/GS). This earth connection must be specified when ordering.  
E.g. M400AR-3/GS.  
For use in potentially explosive atmospheres (for 12 kV max.).  
Order: -/ATEX.



In mm.

Equipment bushing type	Voltage $U_r$ (kV)	Current $I_r$ (A)
400AR-3	12	630
K400AR-3	24	630
M400AR-3	36	630