

ACCESSORIES INTERFACE C

Application

For use with connectors and bushings with an interface C as described by CENELEC EN 50180 and 50181.

Technical characteristics

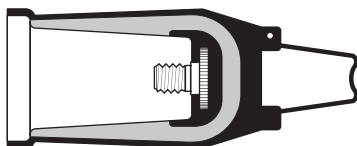
All these products, except the earthing plugs, are tested for AC withstand and partial discharge prior to leaving the factory.

Up to 36 kV

6/10	(12)	kV
6.35/11	(12)	kV
8.7/15	(17.5)	kV
12/20	(24)	kV
12.7/22	(24)	kV
18/30	(36)	kV
19/33	(36)	kV
20.8/36	(42)	kV

400DR-B/G Dead-end receptacle

Fits over a bushing with a type C interface to provide 'dead-end' facility. The dead-end receptacle is supplied with an earth lead.

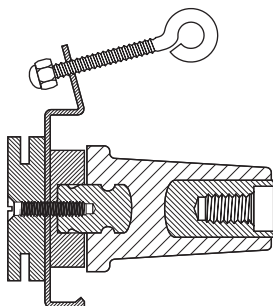


Ordering instructions

Order
400DR-B/G for 12 kV,
K400DR-B/G for 24 kV or
M400DR-B/G for 36 kV
applications.

400SOP-B Stand-off plug

Is designed to support and 'dead-end' connectors with a type C interface when removed from equipment.

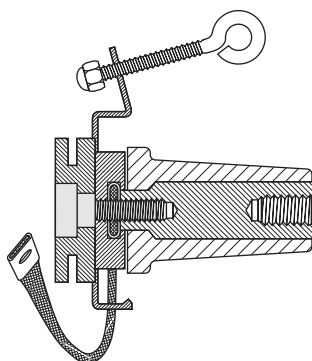


Ordering instructions

Order
400SOP-B for 12 kV,
K400SOP-B for 24 kV,
M400SOP-B for 36 kV or
P400SOP-B for 42 kV
applications.

400GP-B Earthing plug

Is designed to support and earth connectors with a type C interface when removed from equipment.



Ordering instructions

Order
400GP-B for 12, 24, 36 or
42 kV applications.