

804PB COUPLING CONNECTOR FOR 484TB/G

**Up to 42 kV
630 A (1250 A)**

6/10	(12)	kV
6.35/11	(12)	kV
8.7/15	(17.5)	kV
12/20	(24)	kV
12.7/22	(24)	kV
18/30	(36)	kV
19/33	(36)	kV
20.8/36	(42)	kV

Application

Separable coupling connector (bolted type) for dual cable arrangement. It has been designed to be used with 484TB separable Tee connector.

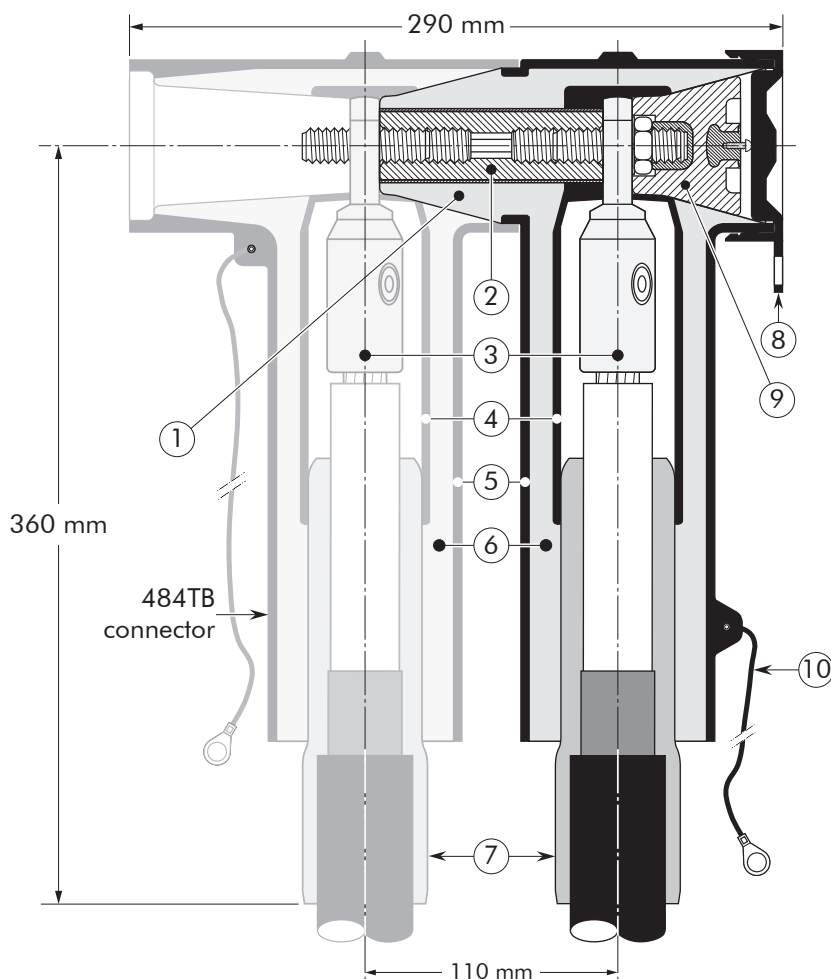
Technical characteristics

- A thick conductive EPDM jacket provides a total safe to touch screen.
- Each separable connector is tested for AC withstand and partial discharge prior to leaving the factory.

Design

1. Interface designed to fit 484TB connector.
2. Bus for 804PB.
3. Conductor connector (hexagonal crimping, deep indent crimping or bolted).
4. Conductive EPDM insert.
5. Conductive EPDM jacket.
6. Insulating EPDM layer moulded between the insert and the jacket.
7. Cable reducer.
8. Conductive EPDM cap.
9. Basic insulating plug (with VD point).
10. Earth lead.

The screen break design enables cable outer sheath testing without removing or dismantling the connector.



Specifications and standards

The 804PB coupling connector meets the requirements of CENELEC HD 629.1.

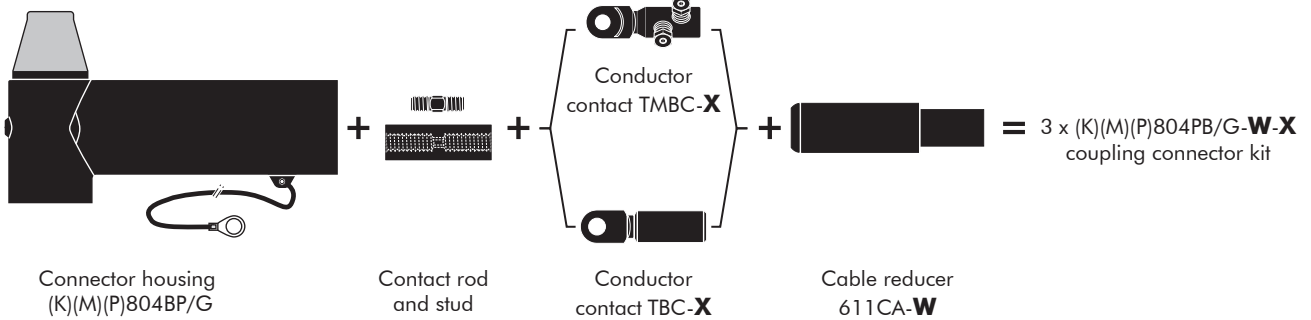
Separable connector type	Voltage U_m (kV)	Current I_r (A)	Current I_r (A) When installed on an appropriate equipment bushing	Conductor sizes (mm ²)	
				min	max
804PB/G	12	630	1250	50	630
K804PB/G	24	630	1250	35	630
M804PB/G	36	630	1250	35	630
P804PB/G	42	630	1250	35	630

08/2011

Kit contents

The complete (K)(M)(P)804PB/G coupling connector kit comprises 3 x the following components:

The kit also comprises silicone grease, field control mastic, gloves, roll adhesive tape, installation instructions and crimp chart.



Ordering instructions

To order the coupling connector, select the ordering part number which gives you the best centring of your core insulation diameter and substitute **X** using table X, according to your conductor size and type. Add a 'K' for use up to 24 kV, add an 'M' for use up to 36 kV, add a 'P' for use up to 42 kV.

Example:

The copper wire screened cable is 36 kV, 240 mm² stranded aluminium with a diameter over core insulation of 37.0 mm. Order 3 x M804PB/G-32-240(K)M-12-2 coupling connector kit.

Table W

Ordering part number	Dia. over core insulation (mm)	
	min	max
3 x 804PB/G-15-X	16.0	22.0
3 x 804PB/G-19-X	20.0	26.5
3 x 804PB/G-22-X	23.5	31.0
3 x 804PB/G-27-X	28.5	37.5
3 x 804PB/G-32-X	34.0	42.5
3 x 804PB/G-37-X	39.0	48.5
3 x 804PB/G-43-X	45.5	56.0

Table X

Conductor sizes (mm ²)	Aluminium conductor		Aluminium and copper conductor	Copper conductor
	DIN hexagonal	Deep indent	Bolted	DIN hexagonal
35	35(K)M-12-2	35KM-12-1		35(K)M-11-2
50	50(K)M-12-2	50KM-12-1		50(K)M-11-2
70	70(K)M-12-2	70KM-12-1		70(K)M-11-2
95	95(K)M-12-2	95KM-12-1		95(K)M-11-2
120	120(K)M-12-2	120KM-12-1		120(K)M-11-2
150	150(K)M-12-2	150KM-12-1		150(K)M-11-2
185	185(K)M-12-2	185KM-12-1		185(K)M-11-2
240	240(K)M-12-2	240KM-12-1		240(K)M-11-2
300	300(K)M-12-2	300KM-12-1		300(K)M-11-2
400	400(K)M-12-2	400KM-12-1		400(K)M-11-2
500	500(K)M-12-2	500KM-12-1		500(K)M-11-2
630	-	630KM-12-1		630(K)M-11-2

For use with copper tape screened cables. Order: Kit MT.	For use with copper wire screened cables. No earthing device is necessary.	For use with other cable types. Please contact our representative.	For applications outdoors and in humid climate. Order: +MWS.	Components can be ordered individually.	When installed on an appropriate equipment bushing: 1250 A continuously